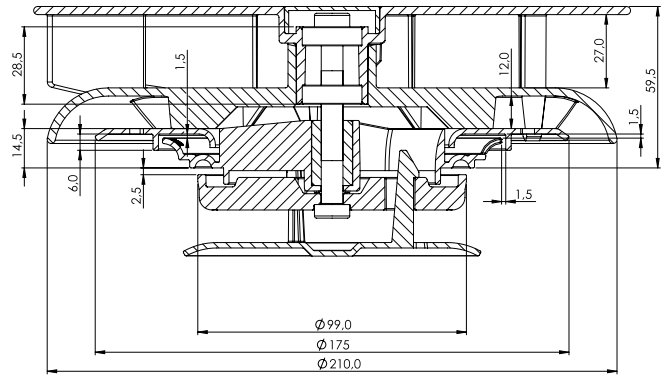


Rooftop Ventilator



“TURBO III”



REMARKS

Standard mountingset suits roof thickness 1 mm - 17 mm. (other mountingsets available on request). Roof cut out \varnothing 80 mm.

TECHNICAL DETAILS

Part. No.	Description	Function	Weight kg	Bearing	Material	Remarks
02-6000	Rotating exhaust ventilator white	Suction	0.55	2 Ball	ABS	Complete with open/close valve
02-6100	Rotating exhaust ventilator black	Suction	0.55	2 Ball	ABS	Complete with open/close valve